

**Armadillo<sup>®</sup>**

RANGE BY ABECCA<sup>®</sup>

# **MODULAR CATALOGUE**

*Where Design and Function Go Hand in Hand*





# CONTENTS

ABOUT ABECCA®

4 - 7

DESIGN SOLUTIONS & TECHNICAL DATA

8 - 22

RANGE DETAILS

23 - 34

CONTACT DETAILS

35



CLICK ANY SECTION  
TO SKIP AHEAD



# ABOUT ABECCA®

*“Creating Safe and Harmonious Environments Through Extraordinary Innovation.”*

We are best described as designers, innovators and manufacturers prioritising quality and safety. Our client-first philosophy and manufacturing capability means the finest detail on every safe furniture solution is because of feedback from customers like you. Being the manufacturer gives us and you such an advantage that even a minor product change is absolutely no issue to Abecca®.





# PURPOSE

## ● Safety That Feels Like Care

Creating environments where users feel secure and comfortable, while giving stakeholders complete confidence in their protective measures.

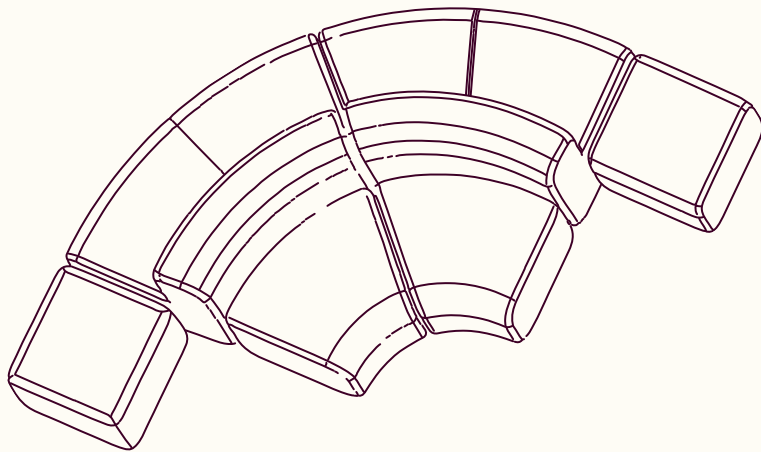
## ● Smart Investment

When safety requirements evolve, individual modules adapt without costly full replacements - delivering budget-friendly flexibility that grows with your needs.

## ● Unlimited Potential

Our modular system bends around any space, transforming challenging areas into welcoming environments. Configure, reconfigure, and reimagine spaces as quickly as your facility demands.

# DESIGN INNOVATION



## ● Reimagined Seating

The Armadillo® Modular Range transforms how collaborative spaces connect people, offering unprecedented flexibility through seamlessly interlocking modules that configure freely for optimal comfort.

## ● Endless Possibilities

Each piece connects effortlessly with others, creating hundreds of configuration options that adapt to any space or need - from intimate conversations to large gatherings.

## ● Advanced Protection Meets Elegant Design

Clean lines and subtle curves combine with Abecca's technically superior Limbershield® thermo-fused surface, delivering durability without compromising aesthetics.

## ● Built For The Unpredictable

This dynamic seating solution thrives in ever-changing environments, adapting as quickly as your space demands.

# THE ABECCA® PROMISE

*To keep both users and stakeholders safe.*

A range of simple, flexible soft seating, in specific shapes and sizes, that can be re-configured quickly and easily, to meet changing demands.



**Quality:** In everything we do.



**Passion:** The driver to delivering a superior product.



**Collaboration:** Working hand in hand with our customers to deliver solutions.



**Innovation:** Challenging the status quo everytime.



**Integrity:** We stand by our word and every commitment



# DESIGN SOLUTIONS

The Armadillo® Modular Range opens the door to a completely new paradigm in safe seating production, reshaping the future of sensory and protective furniture design.

Intelligent solutions ensure spaces work seamlessly for both patients and carers, creating environments where safety enhances rather than restricting well being.

Armadillo® furniture withstands the most challenging environments from potential misuse and aggression to daily wear and tear, fire hazards, and bacterial contamination.

By combining durability with adaptability, we create highly functional environments that anticipate and meet the evolving needs of all users and space planning requirements.

**Revolutionary Manufacturing.**

**Built to endure.**

**Comfort for everyone.**

**Future-ready spaces.**





# TECHNICAL PERFORMANCE

## Durable LimberShield® Finish

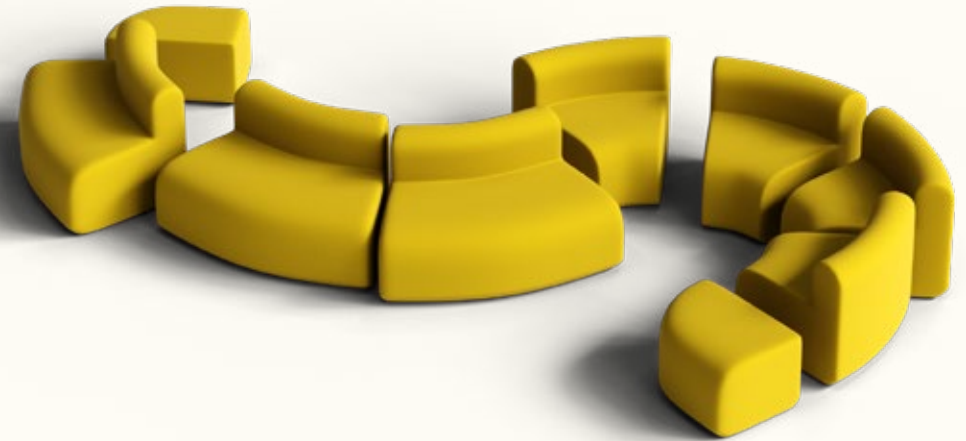
Advanced finish for high-risk environments. LimberShield® technology is a thermo-fused finish developed for our anti ligature foam furniture engineered to deliver maximum safety, durability and performance in demanding settings. Smooth, easy to maintain without seams. Hygienic and 100% waterproof construction with an anti-bacterial finish for ultimate infection control with a hygienic wipe-clean surface.

## Fire Safety

Each piece is fire retardant, in accordance with BS5852: 2006 and BS7177 Crib 7, providing added safety.

## Versatility

Modular seating helping you make the most of your space. Reconfigurable to suit different needs, such as creating individual seating areas or larger group arrangements for therapy sessions or communal spaces, promoting inclusion. Designed flexible seating with superior comfort and support allowing for dynamic comfort without a fixed frame.



# TECHNICAL PERFORMANCE

## User Friendly

Easy to move, making it versatile for numerous spaces whilst ensuring complete safety.

## Rigorously Strength Tested

Thoroughly tested for durability and reliability, designed to withstand high demand environments and loads up to 200kgs.

## Anti-Ligature and Seamless

Durable, easy to maintain surface without seams. Rounded corners and soft structure ensure safety, comfort, and noninstitutional aesthetics. One-piece design solid foam no wooden interior, making each modular piece seamless, water-resistant and preventing concealment of contraband.



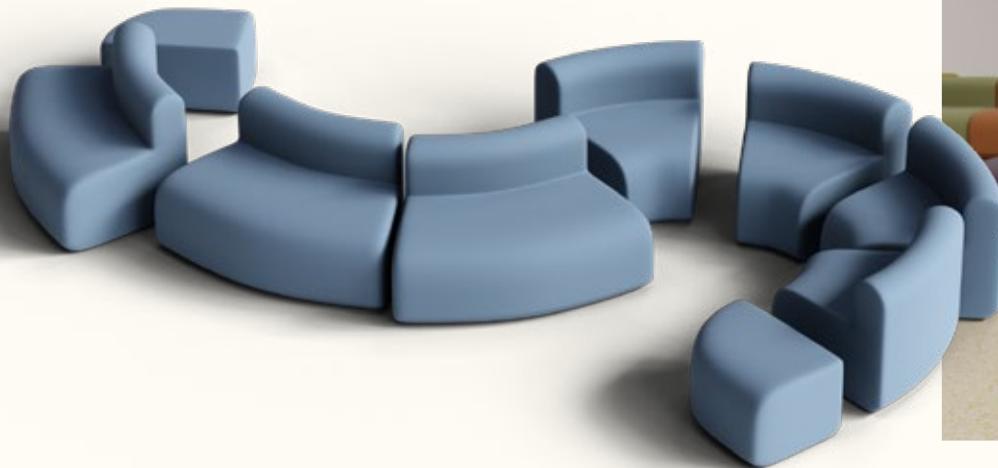
# TECHNICAL PERFORMANCE

## Ideal for Reception Areas and Group Areas

Stylish, flexible and functional, perfect for creating a professional yet welcoming environment for both reception and group sessions.

## Perfectly Paired with Abecca® Armadillo® Furniture

Thoroughly tested for durability and reliability, designed to withstand high demand environments and loads up to 200kgs.

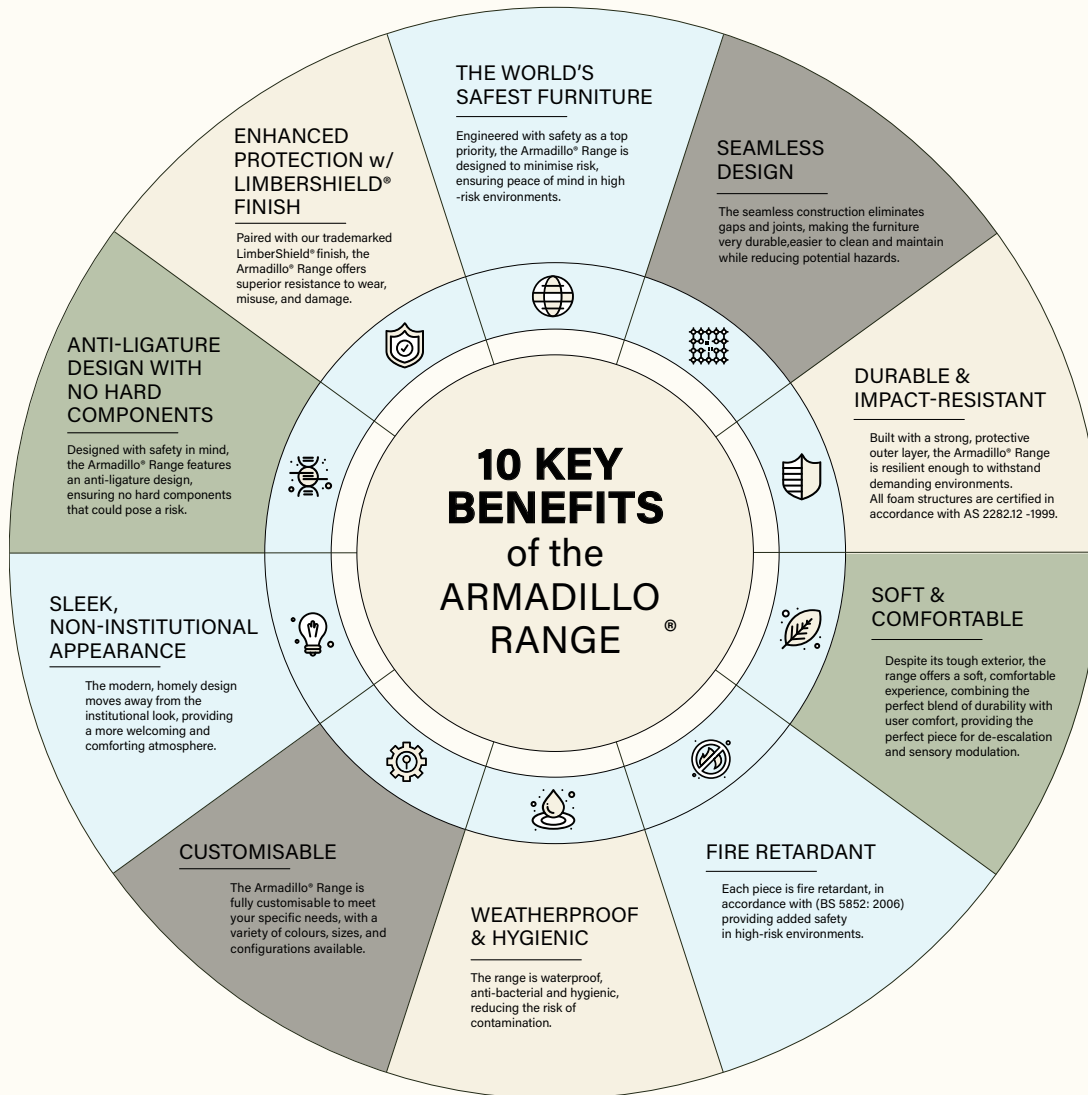




***“Design is not just what it looks like  
and feels like. Design is how it works”***

***- Steve Jobs***

# KEY BENEFITS



## Strength Meets Innovation

Tough, durable, and resilient construction ensures longlasting performance, while thoughtful design creates spaces that feel genuinely welcoming rather than institutional.

## The Perfect Balance

Where other solutions force you to choose between safety and comfort, Armadillo® delivers both proving that protective furniture can be as inviting as it is secure. purpose built for challenging environments, yet sophisticated enough for spaces where aesthetics matter as much as protection.



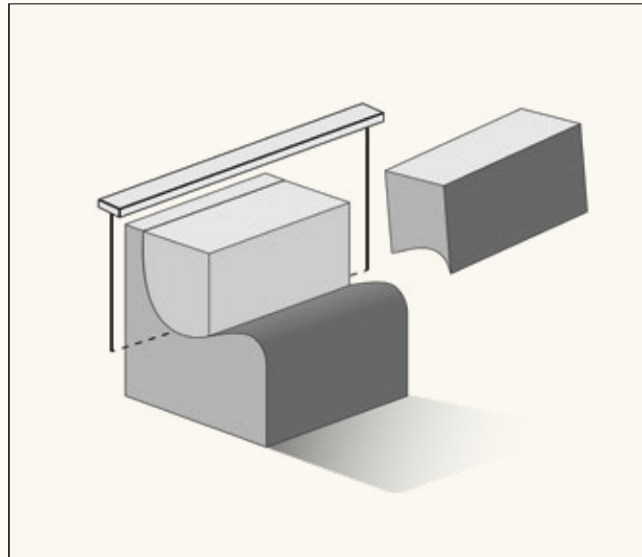
# OUR COMPLETE PROCESS

## 01. CONCEPT & CAD DESIGN



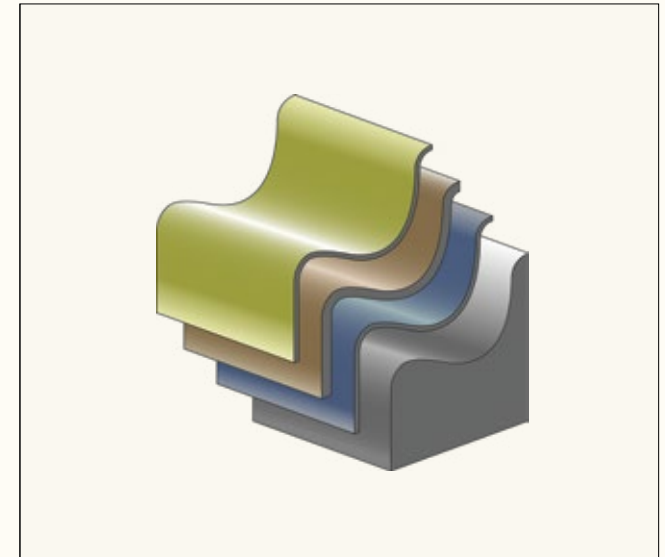
We begin by crafting detailed CAD designs, ensuring each piece is precisely tailored to fit your requirements, whether standard or custom.

## 02. CNC FOAM CUTTING & FABRICATION



Using advanced CNC and robotic machinery, we cut and fabricate foam in varying densities to provide optimal comfort and support and safety.

## 03. FINISHED WITH OUR LIMBERSHIELD® TECHNOLOGY



Finally, each piece is finished with our LimberShield® technology, enhancing durability and providing long-lasting protection.

# WHY YOU'LL LOVE ARMADILLO® FURNITURE



## Completely Safe Construction

No hard objects or exposed edges, every surface is designed to eliminate risk while maintaining structural integrity.



## Fire Protection Built-In

Fire retardant materials provide essential safety compliance without compromising comfort or design aesthetics.



## Hygiene Confidence

Anti-bacterial and anti-fungal properties ensure clean, healthy environments that resist contamination and reduce maintenance demands.



## Advanced Surface Technology

LimberShield® thermo fused surface delivers superior durability and easy cleaning while maintaining a premium feel.

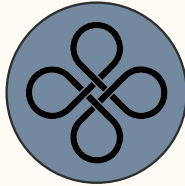


## Comfort By Design

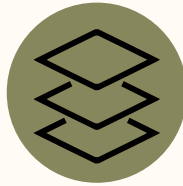
Ergonomic engineering ensures proper support and comfort for extended use, making safety seating genuinely pleasant to experience.



# ARMADILLO® FURNITURE SYMBOLS



**SEAMLESS DESIGN**  
No gaps or joints for easy cleaning and durability.



**LIMBERSHIELD® COATING**  
Enhanced durability and resistance against wear, misuse, and damage.



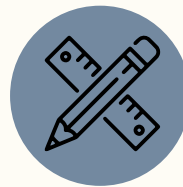
**ANTI-LIGATURE & DURABLE**  
Tough, resilient & safe design for demanding environments.



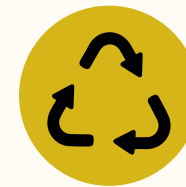
**SOFT, COMFORTABLE & WATERPROOF**  
Soft, inviting furniture with anti-bacterial protection for a hygienic experience.



**FIRE RETARDANT**  
Fire-retardant to BS 5852: 2006 & BS7177: 2008



**CUSTOMISABLE DESIGN & NO ASSEMBLY REQUIRED**  
Fully customisable in colour, size, and configuration, with no assembly required for ease of use.



**RECYCLABLE**  
Recyclable materials, ensuring sustainability and security in every piece.

## WARRANTIES & SERVICE



### 7-YEAR WARRANTY

We're so confident in the durability of our furniture that we offer a 7 year structural warranty. Giving you peace of mind that your investment is completely protected.

For further warranty information please visit our T&C's [www.abeccadesign.com](http://www.abeccadesign.com)



### DESIGNED & MADE IN OUR FACTORY

As the manufacturers of our own anti-ligature furniture, we control every step of the process—from design to production. This ensures top-quality craftsmanship, complete customization, and the ability to quickly address any needs or changes without delays. When you choose Abecca®, you're choosing direct access to the makers of your furniture, giving you peace of mind and the assurance of superior quality.

# CUSTOM MADE SOLUTIONS

Our client-first philosophy means every piece of feedback directly shapes our developments, ensuring our solutions evolve with real-world challenges.

We've perfected modular approaches that transform the most challenging environments into spaces that prioritize both safety and wellbeing.

Witnessing spaces evolve from problematic to protective, from institutional to inviting—these transformations fuel everything we do.

We provide detailed 3D renders of your specific space, addressing every pain point with thoughtful, practical solutions that deliver exactly what you need and deserve.

**Your needs drive  
our innovation.**

**Difficult spaces,  
elegant solutions.**

**Transformation is  
our passion.**

**Visualize before  
you invest.**



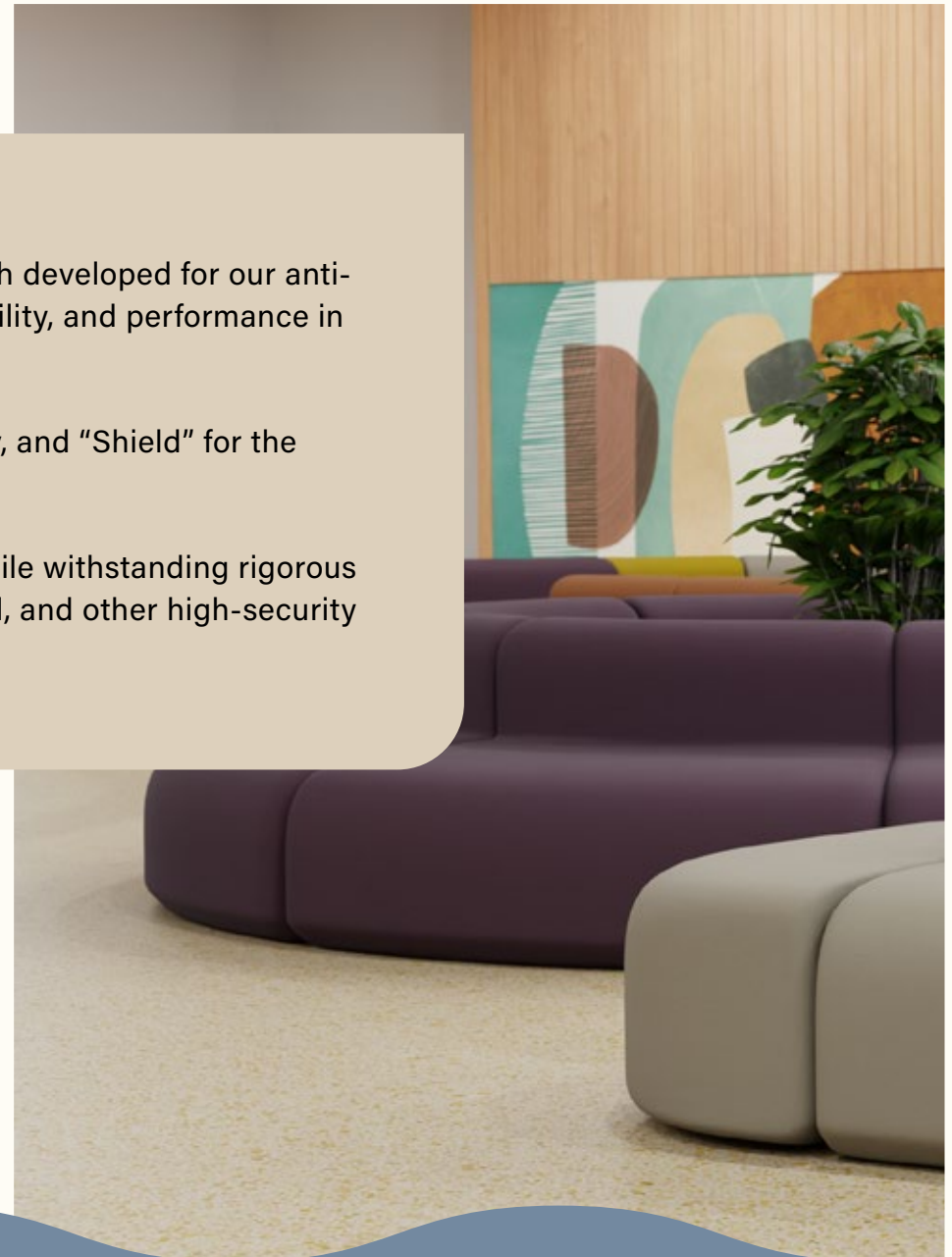
# LimberShield® Explained

LimberShield® – Advanced Finish for High-Risk Environments

Abecca's® registered LimberShield® technology is a proprietary finish developed for our anti-ligature foam furniture, engineered to deliver maximum safety, durability, and performance in demanding settings.

The name says it all — “Limber” for flexibility, essential to user safety, and “Shield” for the tough, protective layer that resists impact, tearing, and wear.

Applied in-house, LimberShield® ensures long-term performance while withstanding rigorous cleaning and daily use, ideal for behavioural, mental health, custodial, and other high-security environments.



# OUR RANGE DETAILS



# COLOUR RANGE



PMS: PANTONE 7449 CP

PMS: PANTONE 5773 CP

PMS: PANTONE 470 CP

PMS: PANTONE 457 CP

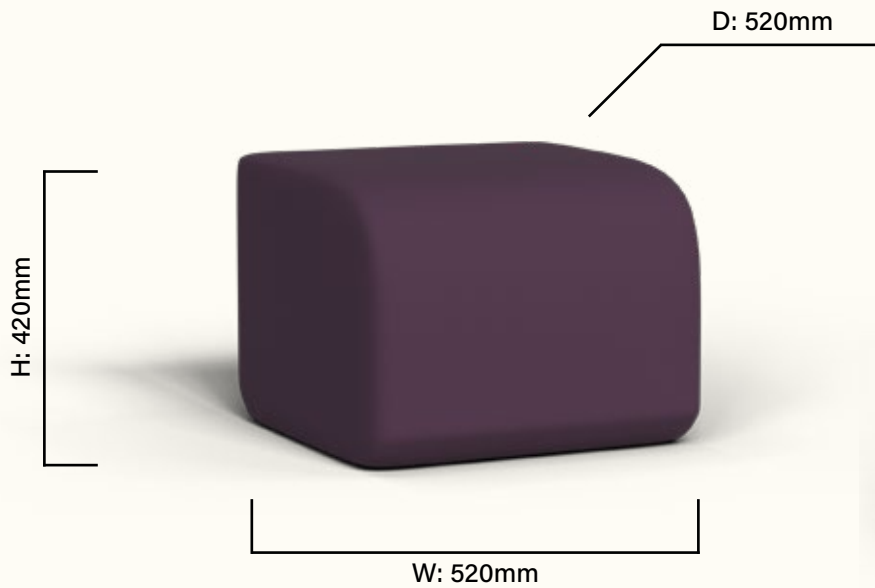
PMS: PANTONE 5425 CP

PMS: PANTONE 7529 CP



# CODE ARM 1

Colour Options | Any Colour at MOQ

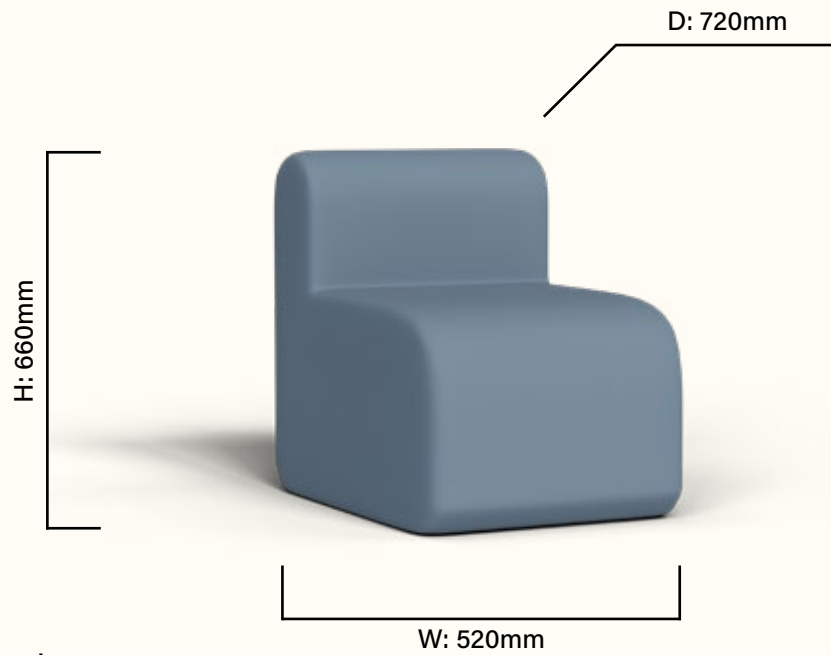


Weight: 5kg

© Abecca By Design Ltd 2026

# CODE ARM 2

Colour Options | Any Colour at MOQ



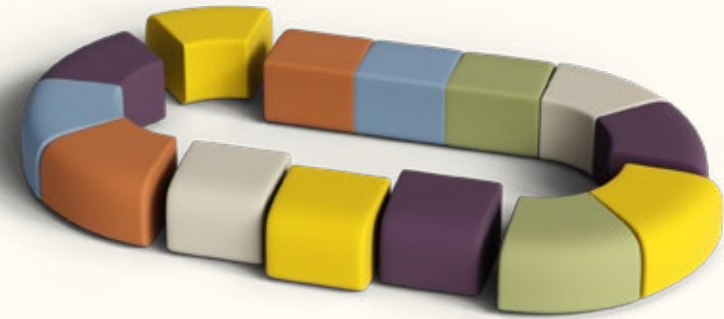
Weight: 9kg

© Abecca By Design Ltd 2026



# CODE ARM 3

Colour Options | Any Colour at MOQ



D: 650mm

H: 420mm



W: 680mm

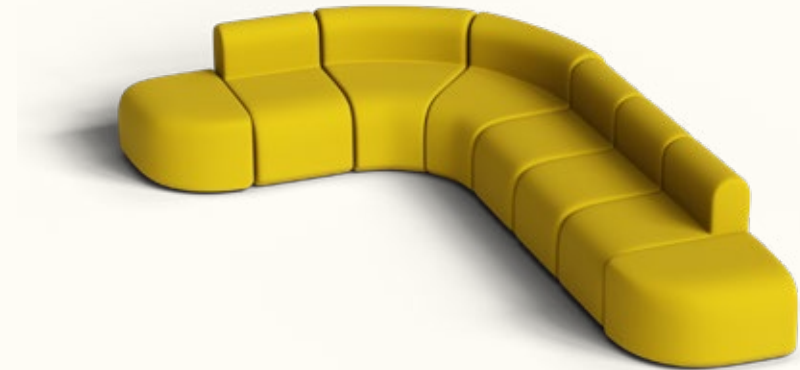
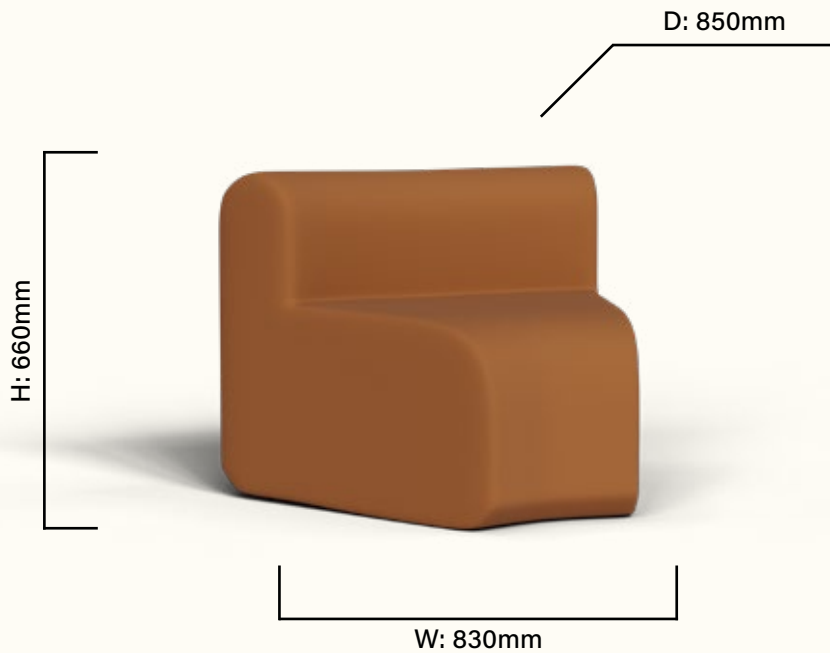
Weight: 7kg

© Abecca By Design Ltd 2026



# CODE ARM 4

Colour Options | Any Colour at MOQ



Weight: 14kg

© Abecca By Design Ltd 2026

# CODE ARM 5

Colour Options | Any Colour at MOQ



D: 860mm

H: 420mm



W: 1190mm

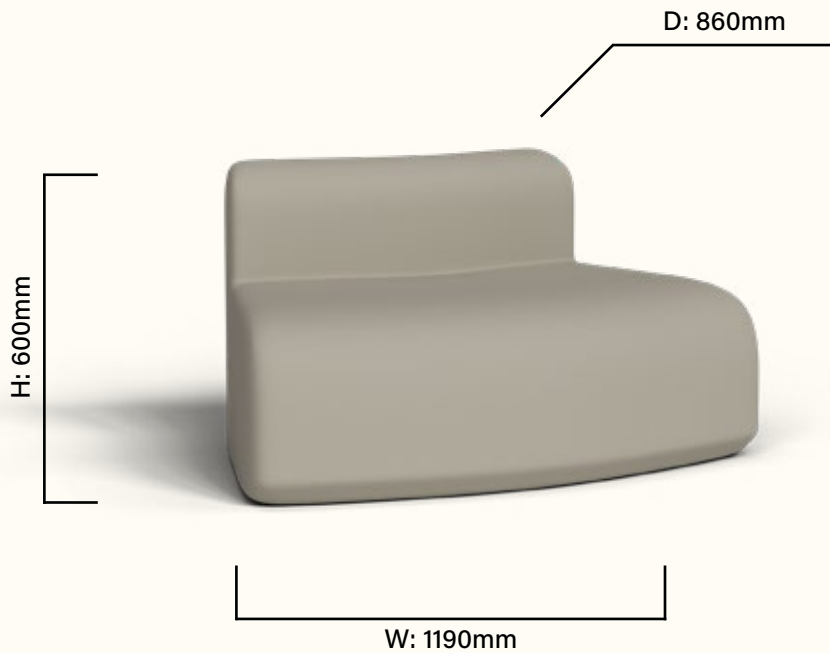
Weight: 14kg

© Abecca By Design Ltd 2026



# CODE ARM 6

Colour Options | Any Colour at MOQ



Weight: 21kg

© Abecca By Design Ltd 2026

# CODE ARM 7

Colour Options | Any Colour at MOQ



D: 520mm

Hi: 420mm



W: 1240mm



Weight: 11kg

© Abecca By Design Ltd 2026

# CODE ARM 8

Colour Options | Any Colour at MOQ

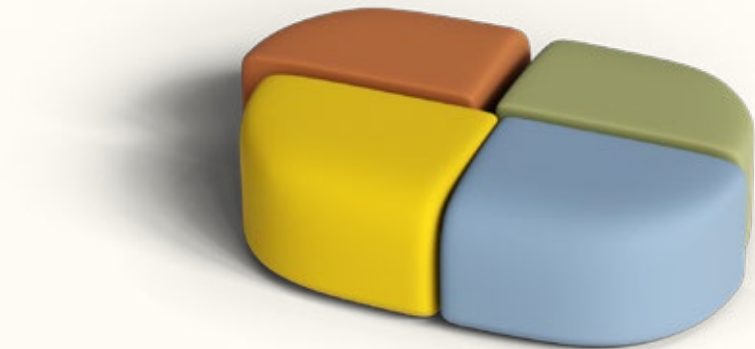


D: 520mm

Hi: 420mm



W: 520mm



Weight: 5kg

© Abecca By Design Ltd 2026

# CODE ARM 9

Colour Options | Any Colour at MOQ



D: 650mm

Hi: 420mm



W: 680mm

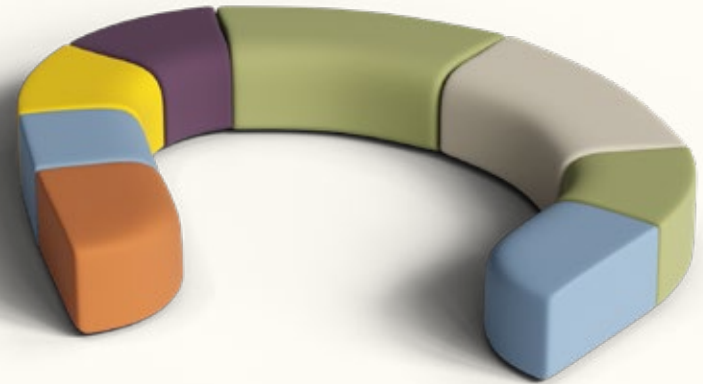


Weight: 7kg

© Abecca By Design Ltd 2026

# CODE ARM 10

Colour Options | Any Colour at MOQ



D: 860mm

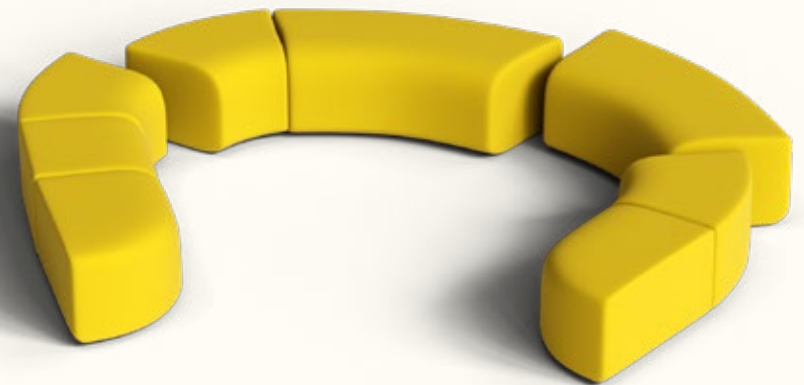


Hi: 420mm

W: 1190mm

Weight: 14kg

© Abecca By Design Ltd 2026





# CONTACT

Thankyou for your time looking through our guide.

For any queries please contact:



NZ p: +64 6 358 9642  
AU p: +61 2 8089 3950



[customerservice@abeccadesign.com](mailto:customerservice@abeccadesign.com)



[www.abeccadesign.com](http://www.abeccadesign.com)  
[www.abeccadesign.com.au](http://www.abeccadesign.com.au)



NZ : 40 Onehunga Mall, Onehunga, Auckland  
1061, New Zealand  
AU : 10 Herb Elliot Ave, Sydney Olympic Park,  
NSW 2127, Australia



# Armadillo®

RANGE BY ABECCA®



THANKYOU

 **ABECCA®**  
BY DESIGN